

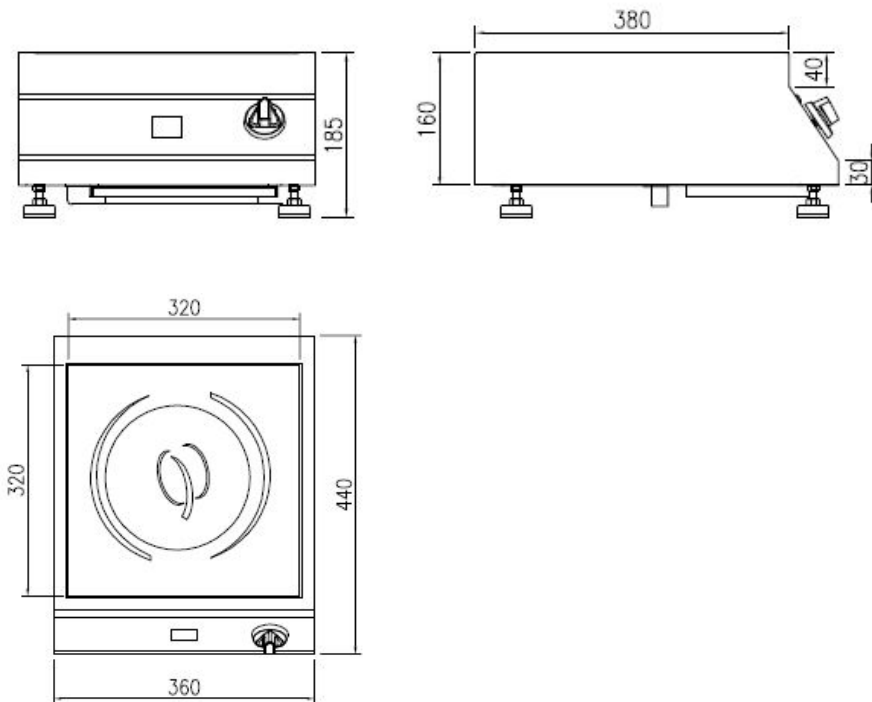


Product Name	Commercial Single Hob Induction Table Pan Tops	Quantity		Item#	
<div style="display: flex; justify-content: space-between; align-items: flex-start;"> <div style="margin-bottom: 20px;">  </div> <div style="text-align: center;">  </div> </div>					
<p>Standard Features</p> <ul style="list-style-type: none"> ● Over 90% energy efficiency rate . ● Simple control: use the power control knob to switch on/off, ● Turn the power control knob to make step-less power regulation ● The LED indicator will show the power level and also in case of error, it will show the error code enabling user to diagnose and correct minor problems ● Integral grease filter to ensure clean air intake ● Internal cooling fan to keep internal electronics cool ● Automatic pan detection provides instant energy transmission to pan and automatic switch off when pan is not present. ● Automatic power adjustment when ambient temperature rises too high or in case of empty pan heating to prevent overheating ● Easy to clean high-impact glass-ceramic top surface ● Pan characterization feature measures pan almost instantly to allow unit to supply optimal power to each pan at every setting ● Minimum functional pan diameter of 120mm. ● Compact design for easy portable plug and play around the kitchen ● Germany TUV-Rheinland CE approved 					
<p>Qingdao Middleby Induction Co., Ltd. 9 Xinghai Road, Huanhai Economical Development Zone, Chengyang District, Qingdao 266108, P.R. China</p>				<p>Phone: +86532-8667-2001 Fax : +86532-8667-2003</p>	



Specifications

Model Number	IND-10P-3500	IND-10PH-5000
Power Requirements	220V-240V AC, 50/60Hz	3N~400V AC, 50/60Hz
Power Consumption	3,500W(MAX)	5,000W(MAX)
BTU Comparison	31,000BTU	44,000BTU
Amperage	16A(MAX)	7.5A(MAX)
Ceran Glass	320*320 SCHOTT Ceran Glass	320*320 SCHOTT Ceran Glass
Housing Material	SUS304, T=1.5mm	SUS304, T=1.5mm
Dimensions(mm)	360*440*185	360*440*185
Weight(kg)	11	12
Packaged Dimensions(mm)	590*470*380	590*470*380
Packaged Weight(kg)	13	14
Power Cord Length(mm)	1800	1800
Plug Type	EU plug	Not Included
Warranty	1 year	1 year

Qingdao Middleby Induction Co., Ltd.

9 Xinghai Road, Huanhai Economical Development Zone,
Chengyang District, Qingdao 266108, P.R. China

Phone: +86532-8667-2001

Fax : +86532-8667-2003